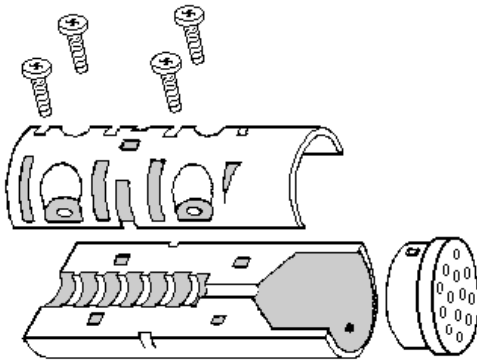




## TECHNICAL INFORMATION – FAN OUT

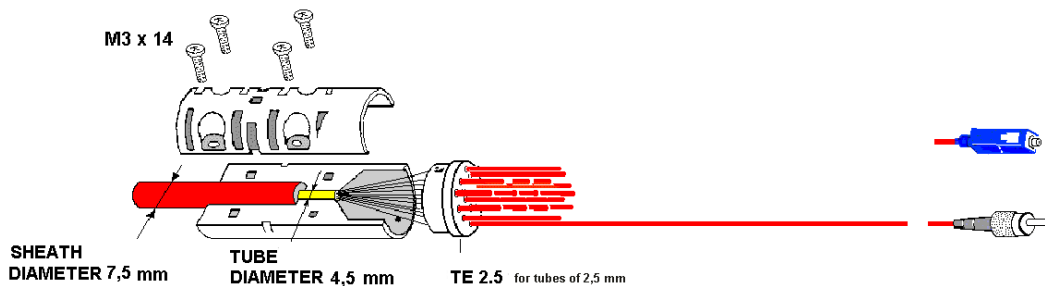


The Splitter, or Fan-out, produced by MINTEL is used to fray out the optical fibre cables.

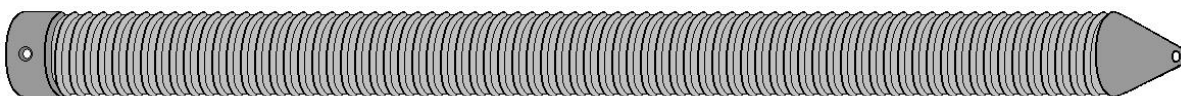
Its head is suitable to fray out 12 or, on request, 24 fibres with sheath protected tubes having a diameter of 2.5 mm.

Dimensions : diameter 25 mm, length 70 mm

Trunks with SC or ST connectors can be obtained, with a top mechanical resistance on the point where the cable is frayed out without any junction along the optical fibre.



## TRAILER CABLE RUNNER SHEATH



Self-extinguishing PVC V0, inner diameter 32 mm, length 800 mm.

Traction resistance 250 N et 23°C.

Protecting the end part with the trailer sheath the cable prepared in the lab can be installed.

